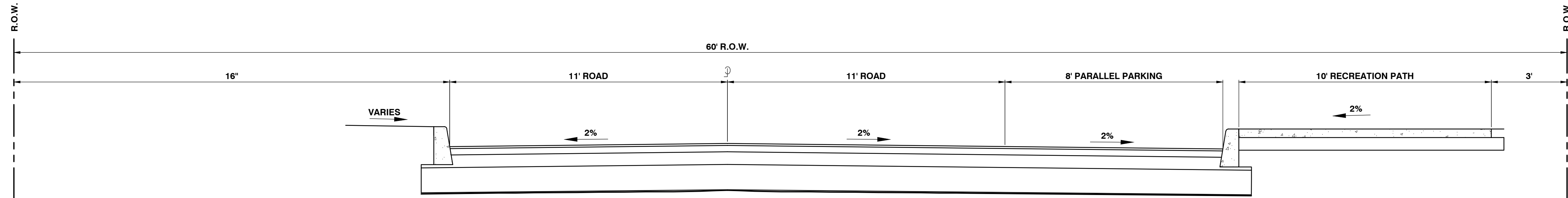
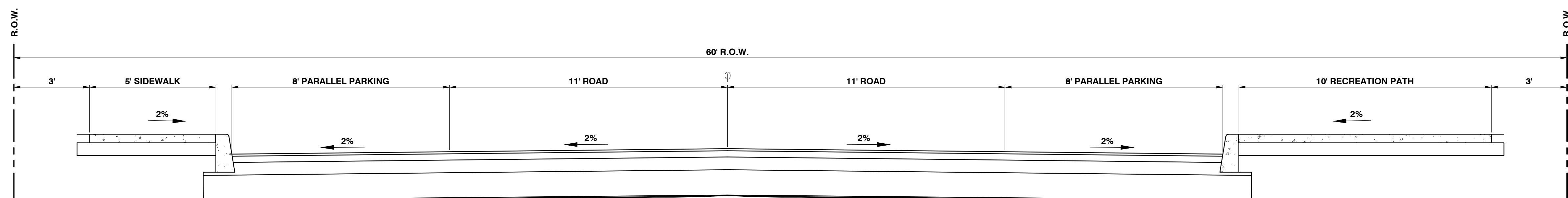


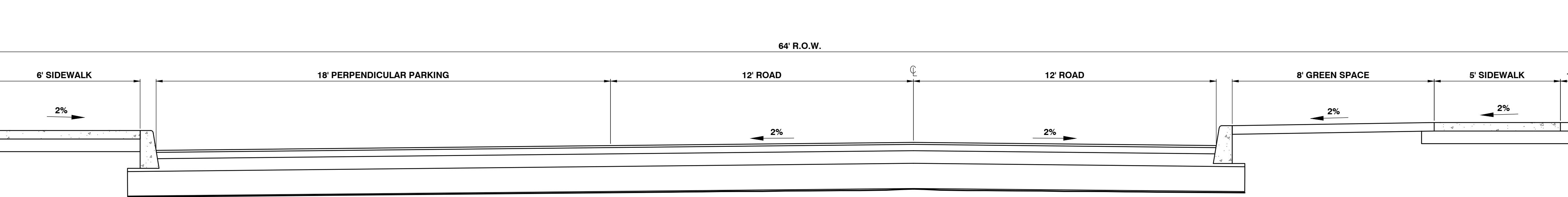
**TYPE 'A' ROAD SECTION**  
N.T.S



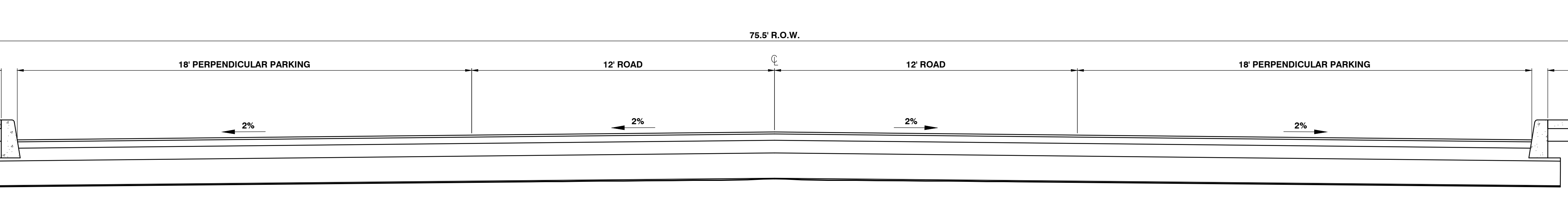
**TYPE 'B' ROAD SECTION**  
N.T.S



**TYPE 'C' ROAD SECTION**  
N.T.S



**TYPE 'D' ROAD SECTION**  
N.T.S



**TYPE 'E' ROAD SECTION**  
N.T.S



SITE ENGINEER:  
CIVIL ENGINEERING ASSOCIATES, INC.  
10 MANSFIELD VIEW LANE, SOUTH BURLINGTON, VT 05403  
802-864-2323 FAX: 802-864-2271 web: www.cea-vt.com  
COPYRIGHT © 2019 - ALL RIGHTS RESERVED

DRAWN  
SAL  
CHECKED  
DSM  
APPROVED  
DSM

OWNER:  
**HAYSTACK CROSSING, LLC**  
c/o JOSEPH BISSONETTE  
68 RANDALL STREET  
SOUTH BURLINGTON, VT 05403  
APPLICANT:  
**BLACKROCK CONSTRUCTION, LLC**  
68 RANDALL STREET  
SOUTH BURLINGTON, VT 05403

PROJECT:  
**HAYSTACK CROSSING**  
SHELburne FALLS ROAD  
VERMONT ROUTE 116  
HINESBURG, VERMONT 05461

DATE	CHECKED	REVISION
11/22/19	DSM	TOWN RESUBMITTAL
1/10/20	DSM	UPDATE PER TOWN COMMENTS
3/4/22	DSM	REV. PER CONDITIONS OF APPROVAL

**ROAD SECTIONS**

DATE  
**OCT. 4, 2019**  
SCALE  
**AS SHOWN**  
PROJ. NO.  
**13127**  
DRAWING NUMBER  
**C8.0**

P:\AutoCAD\Projects\2019\13127\CADD\Plan-13127.dwg 11/27/2019 10:32 AM