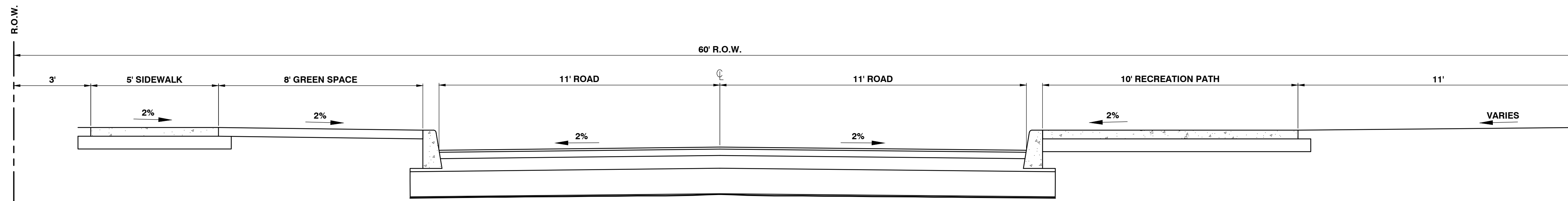


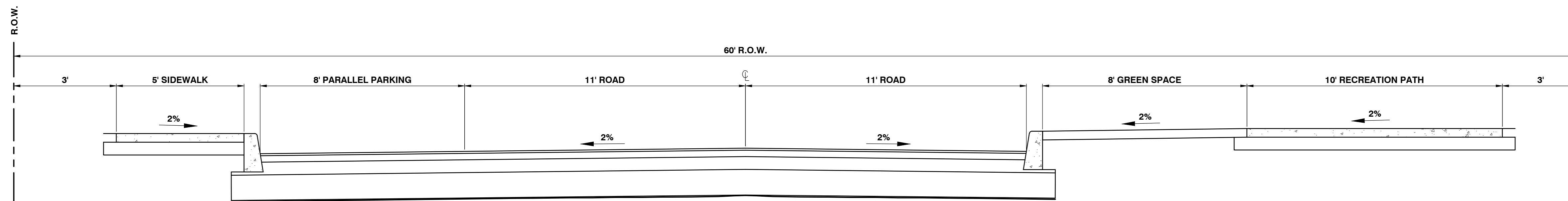
TYPE 'F' ROAD SECTION

N.T.S



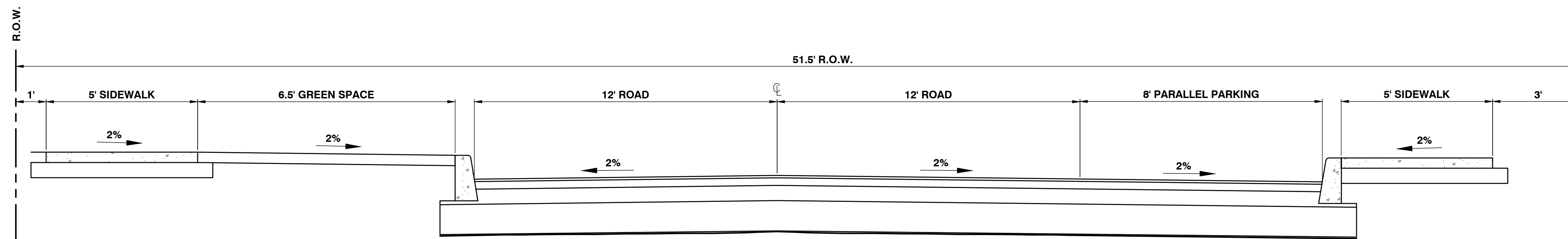
TYPE 'G' ROAD SECTION

N.T.S



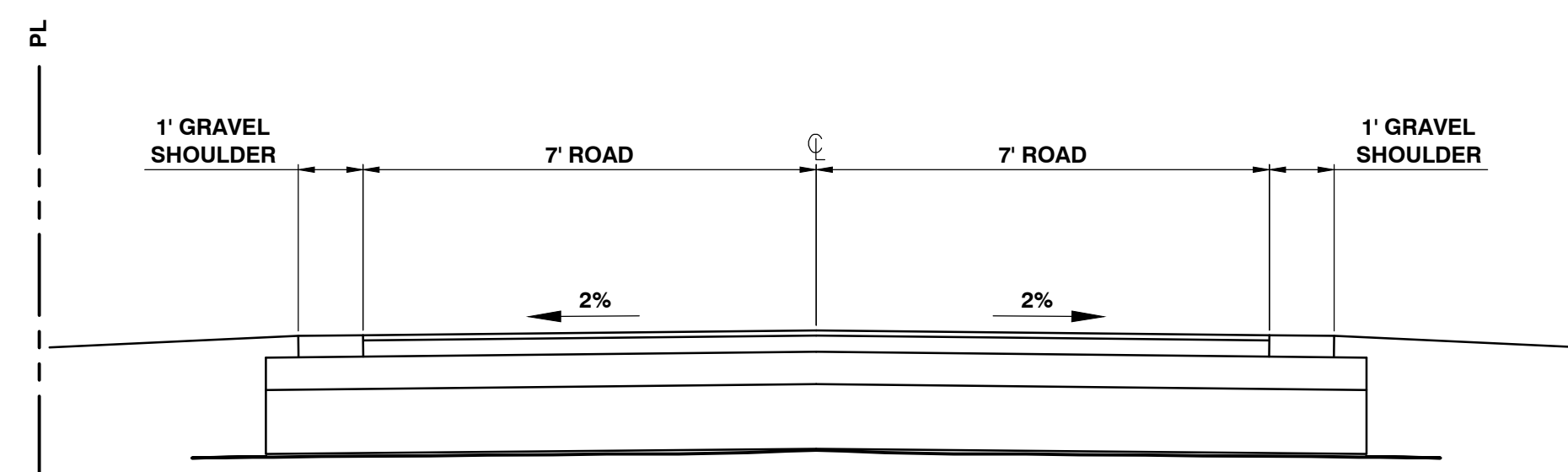
TYPE 'H' ROAD SECTION

N.T.S



TYPE 'I' ROAD SECTION

N.T.S



TYPE 'J' ROAD SECTION

N.T.S

SITE ENGINEER:



CIVIL ENGINEERING ASSOCIATES, INC.
10 MANSFIELD VIEW LANE, SOUTH BURLINGTON, VT 05403
802-864-2323 FAX: 802-864-2271 web: www.cca-vt.com

COPYRIGHT © 2019 - ALL RIGHTS RESERVED

DRAWN
SAL
CHECKED
DSM
APPROVED
DSM

OWNER:
**HAYSTACK
CROSSING, LLC**
c/o JOSEPH BISSONETTE

68 RANDALL STREET
SOUTH BURLINGTON, VT 05403

APPLICANT:
**BLACKROCK
CONSTRUCTION, LLC**
68 RANDALL STREET
SOUTH BURLINGTON, VT 05403

PROJECT:

**HAYSTACK
CROSSING**

SHELBURNE FALLS ROAD
VERMONT ROUTE 116
HINESBURG, VERMONT 05461

DATE	CHECKED	REVISION
11/22/19	DSM	TOWN RESUBMITTAL
1/10/20	DSM	UPDATE PER TOWN COMMENTS
3/4/22	DSM	REV. PER CONDITIONS OF APPROVAL

ROAD SECTIONS

DATE
OCT. 4, 2019
SCALE
AS SHOWN
PROJ. NO.
13127

DRAWING NUMBER

C8.1

P:\AutoCAD Projects\2019\131277_CADD\Plan-131277.dwg 11/27/2019 10:57:11 AM 3/20/2022 9:28 AM