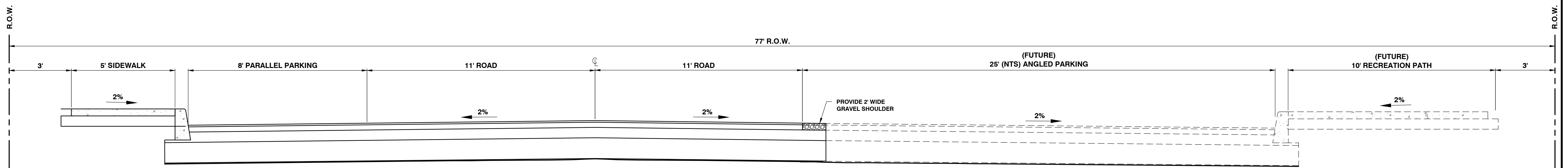
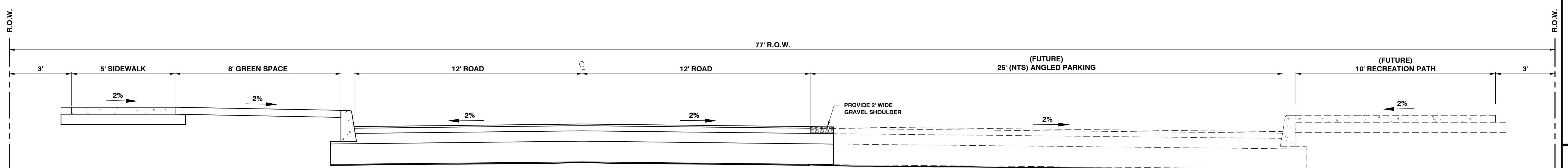


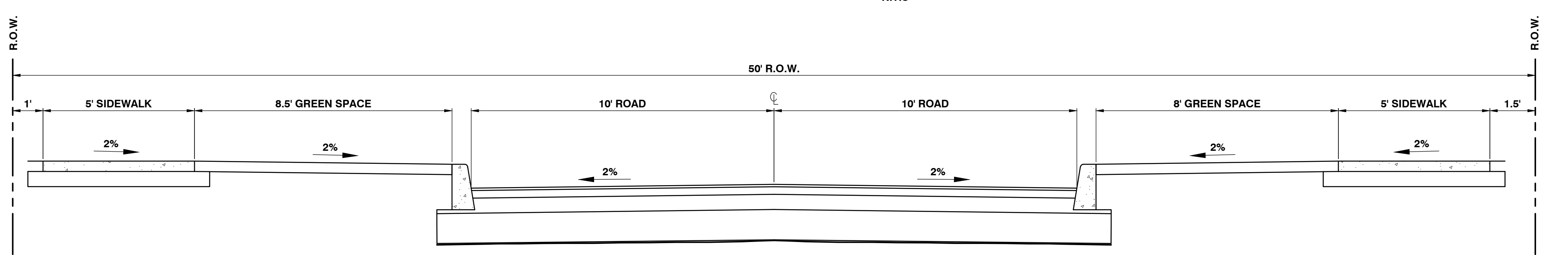
**TYPE 'K' ROAD SECTION**  
N.T.S.



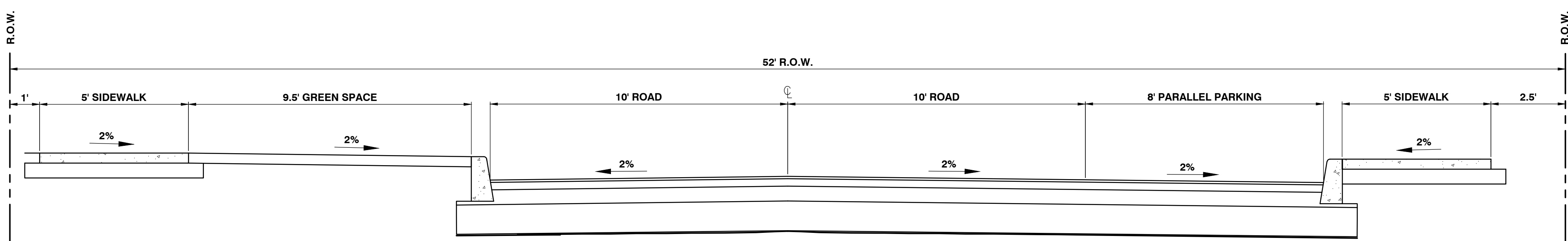
**TYPE 'L' ROAD SECTION**  
N.T.S.




**TYPE 'M' ROAD SECTION**  
N.T.S.



**TYPE 'N' ROAD SECTION**  
N.T.S.



**TYPE 'O' ROAD SECTION**  
N.T.S.

SITE ENGINEER:  
  
 CIVIL ENGINEERING ASSOCIATES, INC.  
 10 MANSFIELD VIEW LANE, SOUTH BURLINGTON, VT 05403  
 802-864-2323 FAX: 802-864-2271 web: www.cea-vt.com  
 COPYRIGHT © 2019 - ALL RIGHTS RESERVED

DRAWN  
SAL  
 CHECKED  
DSM  
 APPROVED  
DSM

OWNER:  
**HAYSTACK CROSSING, LLC**  
 c/o JOSEPH BISSONETTE  
 68 RANDALL STREET  
 SOUTH BURLINGTON, VT 05403  
 APPLICANT:  
**BLACKROCK CONSTRUCTION, LLC**  
 68 RANDALL STREET  
 SOUTH BURLINGTON, VT 05403

PROJECT:  
**HAYSTACK CROSSING**  
 SHELBURNE FALLS ROAD  
 VERMONT ROUTE 116  
 HINESBURG, VERMONT 05461

DATE	CHECKED	REVISION
11/22/19	DSM	TOWN RESUBMITTAL
1/10/20	DSM	UPDATE PER TOWN COMMENTS
3/4/22	DSM	REV. PER CONDITIONS OF APPROVAL

**ROAD SECTIONS**

DATE  
**OCT. 4, 2019**  
 SCALE  
**AS SHOWN**  
 PROJ. NO.  
**13127**  
 DRAWING NUMBER  
**C8.2**

P:\AutoCAD\Projects\13127\13127.dwg - 11/10/2020 10:57:17 AM  
 P:\AutoCAD\Projects\13127\13127.dwg - 11/10/2020 10:57:17 AM