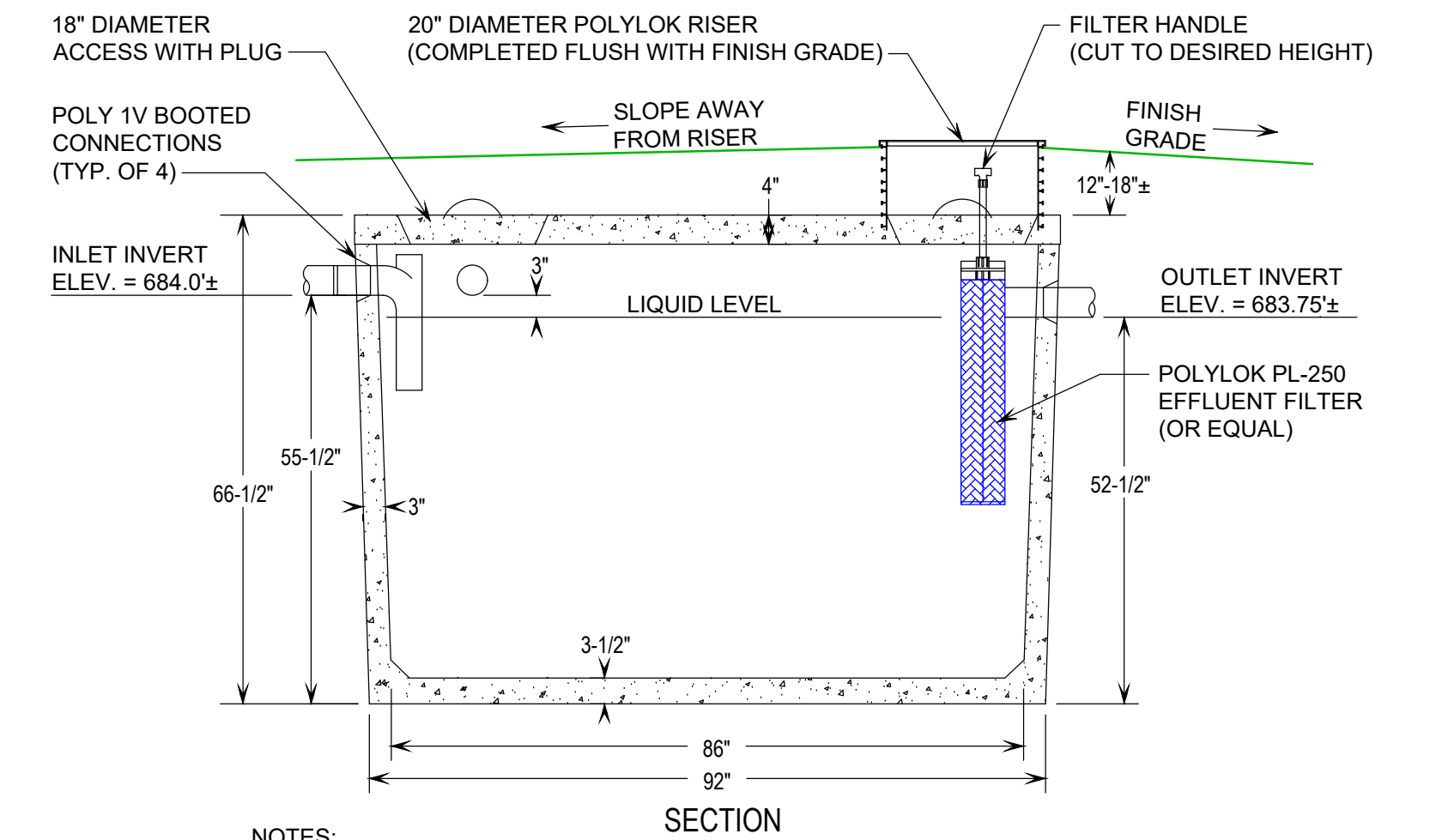


PRIMARY IN-GROUND WASTEWATER DISPOSAL SYSTEM PLAN VIEW DETAIL

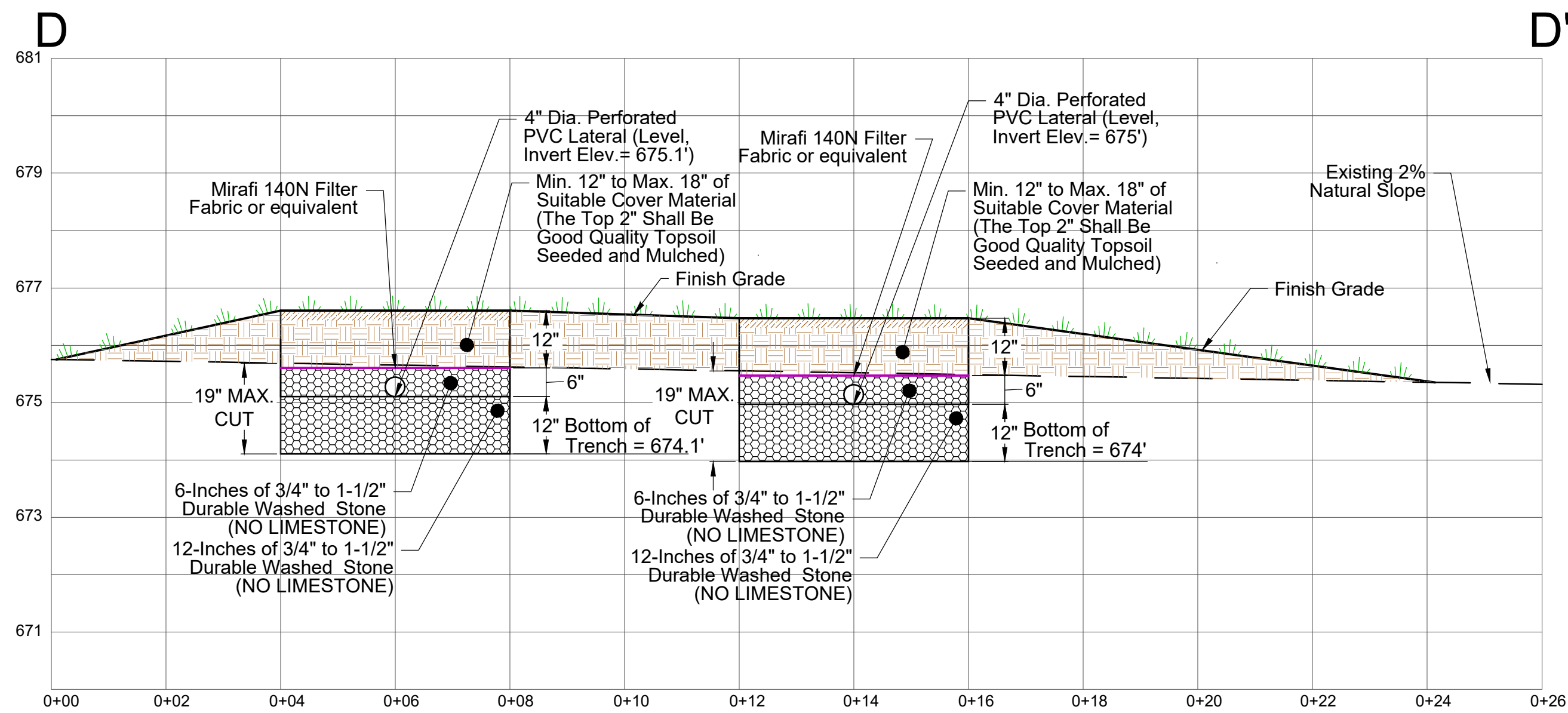
SCALE: 1-INCH = 5-FEET



- NOTES:
- SEPTIC TANK SHALL BE SET LEVEL ON A MINIMUM OF SIX INCHES OF COMPACTED GRANULAR BASE.
 - AN INLET TEE BAFFLE IS REQUIRED.
 - IF WATER-PROOF BOOTED CONNECTIONS ARE NOT USED, ALL PIPE PENETRATIONS SHALL BE SEALED WITH A "WATER PLUG" NON-SHRINK HYDRAULIC CEMENT.
 - EFFLUENT FILTER ACCESS SHALL BE COMPLETED FLUSH WITH FINISH GRADE.

1,000 GALLON TOP-SEAM CONCRETE SEPTIC TANK

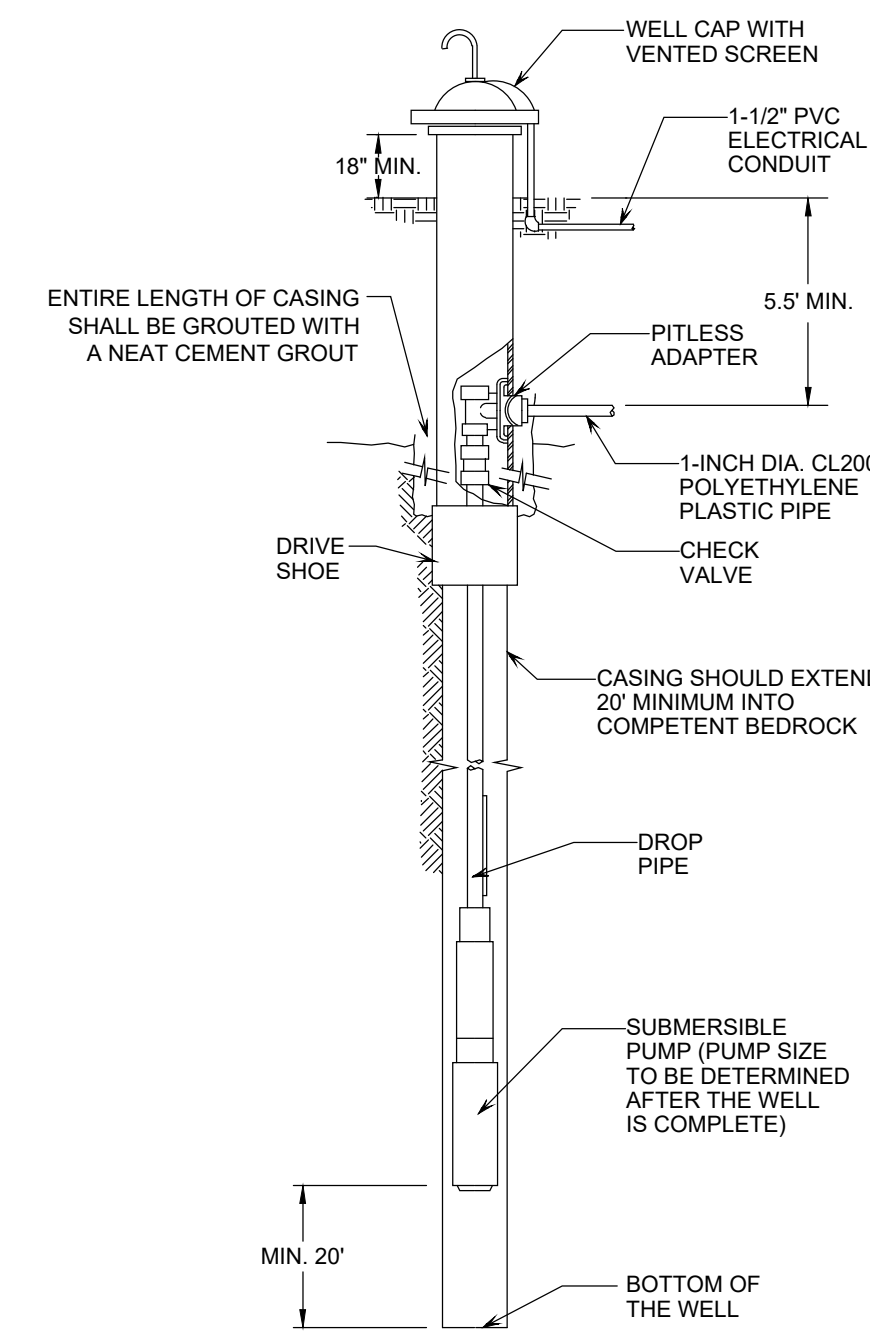
NOT TO SCALE



IN-GROUND WASTEWATER DISPOSAL SYSTEM SECTION

VERTICAL SCALE: 1-INCH = 2-FEET
HORIZONTAL SCALE: 1-INCH = 2-FEET

- NOTE:
- DISTRIBUTION LATERAL PIPE PERFORATIONS SHALL BE ORIENTATED SO THAT THE HOLES ARE AT 5 O'CLOCK AND 7 O'CLOCK WITH THE PIPE INVERT AT 6 O'CLOCK.



- NOTES:
- THE DRILLED WELL SHALL BE CONSTRUCTED IN ACCORDANCE WITH §1-1206 OF THE STATE OF VERMONT ENVIRONMENTAL PROTECTION RULES, CHAPTER 1, EFFECTIVE APRIL 12, 2019.
 - THE DRILLED WELL LOCATION SHALL ADHERE TO THE ISOLATION DISTANCES SHOWN ON THE DRILLED WELL ISOLATION TABLE ON THIS DRAWING.

DRILLED WELL CONSTRUCTION DETAIL

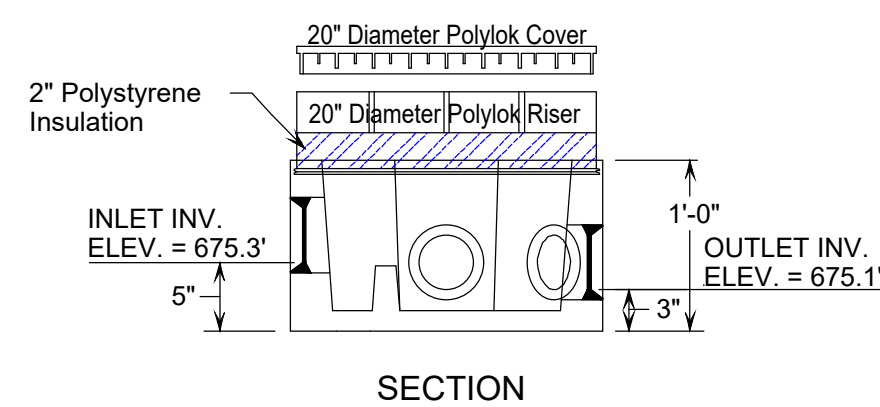
NOT TO SCALE

DRILLED WELL REQUIRED MINIMUM ISOLATION DISTANCES

POTENTIAL SOURCE OF CONTAMINATION	SEPARATION DISTANCE
SEWAGE DISPOSAL FIELD	200 FEET IF WELL IS DOWNSLOPE
DOWN-SLOPE WITH FLOWS <2000 GPD	100 FEET IF WELL IS UPSLOPE
SUBSURFACE WASTEWATER PIPING	50 FEET
EDGE OF RESIDENTIAL DRIVE SERVING 3 RESIDENCES OR LESS	5 FEET
EDGE OF DRIVEWAY, ROADWAY OR PARKING LOT SERVING 3 OR MORE RESIDENCES	25 FEET
PROPERTY LINE	10 FEET
BUILDINGS	5 FEET
LIMIT OF HERBICIDE APPLICATION ON UTILITY RIGHT-OF-WAY	100 FEET
SURFACE WATER	10 FEET
CONCENTRATED LIVESTOCK HOLDING AREAS AND MANURE STORAGE:	200 FEET
ABOVE GROUND IN-GROUND CONCRETE/GEOSYNTHETIC LINED EARTHEN LINED	50 FEET
	100 FEET
	200 FEET
HAZARDOUS OR SOLID WASTE DISPOSAL SITE	CONTACT DESIGNER
NON-SEWAGE WASTEWATER DISPOSAL FIELDS	CONTACT DESIGNER

WASTEWATER DISPOSAL SYSTEM CONSTRUCTION AND MAINTENANCE NOTES

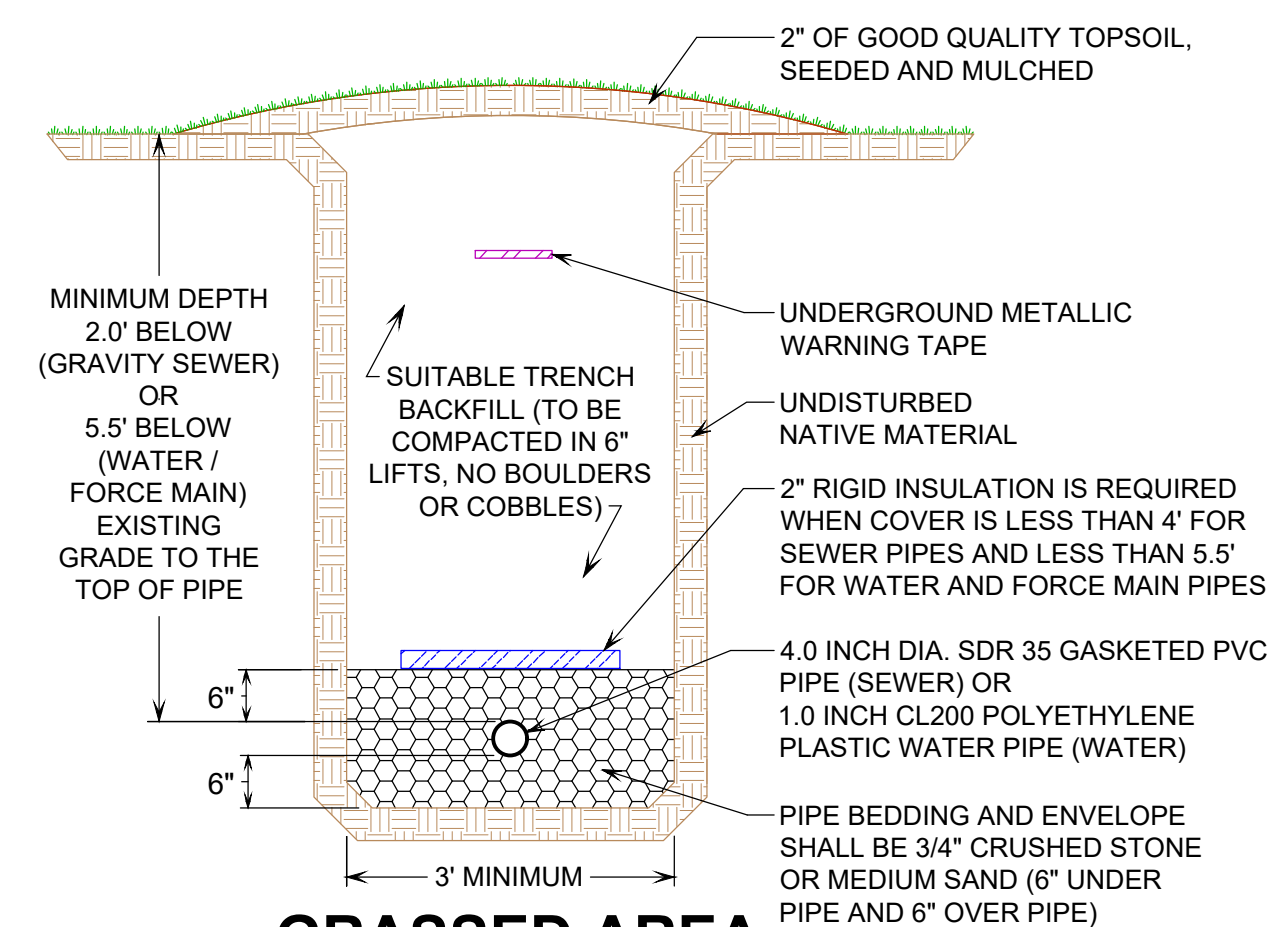
- THE WASTEWATER DISPOSAL SYSTEM SHALL BE CONSTRUCTED IN ACCORDANCE WITH THE STATE OF VERMONT, AGENCY OF NATURAL RESOURCES, ENVIRONMENTAL PROTECTION RULES, CHAPTER 1, WASTEWATER SYSTEM AND POTABLE WATER SUPPLY RULES.
- WASTEWATER DISPOSAL SYSTEM LOCATION SHALL BE STAKED OUT BY THE DESIGNER PRIOR TO START OF CONSTRUCTION.
- ATTACHED MOUND SYSTEM CONSTRUCTION INSTRUCTIONS SHALL BE FOLLOWED DURING THE INSTALLATION OF THE REPLACEMENT MOUND-TYPE WASTEWATER SYSTEM.
- THE DESIGNER SHALL BE NOTIFIED AT LEAST 48 HOURS IN ADVANCE FOR INSPECTIONS OF THE SEPTIC TANK, PUMP STATION, PLOWED LAYER, AND PLACEMENT OF THE MOUND SAND.
- THE DESIGNER SHALL BE NOTIFIED AT LEAST 48 HOURS IN ADVANCE FOR A PRESSURE TEST OF THE MOUND SYSTEM PRESSURE DISTRIBUTION NETWORK.
- WASTEWATER SYSTEM FINISH GRADES WILL VARY WITH NATURAL TOPOGRAPHY PRIORITY IS TO MAINTAIN 3 ON 1 MOUND TOE SLOPES.
- SEPTIC TANK EFFLUENT FILTER SHOULD BE REMOVED AND RINSED BACK INTO THE SEPTIC TANK ANNUALLY.
- THE SEPTIC TANK AND PUMP STATION SHOULD BE INSPECTED ANNUALLY AND PUMPED OUT AT LEAST EVERY THREE (3) YEARS OR AS NECESSARY TO PREVENT SOLIDS FROM CARRYING OVER TO THE DISPOSAL SYSTEM.
- FOLLOWING THE MOUND WASTEWATER SYSTEM INSTALLATION, FINISH GRADE SHALL BE SEEDED AND MULCHED WITH A CONSERVATION GRASS SEED MIX.
- WATER SOFTENER BACKWASH, SEPTIC TANK ADDITIVES, GREASE OR SANITIZERS SHALL NOT BE INTRODUCED INTO THE WASTEWATER DISPOSAL SYSTEM.



- NOTES:
- DISTRIBUTION BOX TO BE SET ON 6" OF GRANULAR BASE.
 - FLOW EQUALIZERS ARE REQUIRED.
 - D-BOX AND FLOW EQUALIZERS SHALL BE WATER LEVELED.
 - ALL PIPE PENETRATIONS SHALL BE SEALED WITH A "WATER PLUG" NON-SHRINK HYDRAULIC CEMENT.
 - DISTRIBUTION BOX ACCESS COVER SHALL BE COMPLETED FLUSH WITH FINISH GRADE.

5-OUTLET ROUND CONCRETE DISTRIBUTION BOX

NOT TO SCALE



GRASSED AREA PIPE IN TRENCH DETAIL

NOT TO SCALE

DATE	DESCRIPTION	BY
REVISIONS		
PR & R DEVELOPMENT, LLC OBSERVATORY ROAD, HINESBURG, VERMONT LOT 5 WATER & WASTEWATER SYSTEM DETAILS AND NOTES		
THESE PLANS WITH LATEST REVISIONS SHOULD ONLY BE USED FOR THE PURPOSE SHOWN BELOW:		
<input type="checkbox"/> PRELIMINARY DRAFT <input checked="" type="checkbox"/> FINAL STATE REVIEW		
PROJECT NO.	21375	DATE:
DATE:	02-27-2023	SCALE:
SCALE:	AS NOTED	SURVEY:
SURVEY:	MCG, AW, OL	DRAWN:
DRAWN:	DW	CHECKED:
CHECKED:	JSB	DRAWING NO.
DRAWING NO.	D-4	SHEET 9 OF 12

SIGNATURE:

JASON S. BARNARD
LICENSED DESIGNER #126179