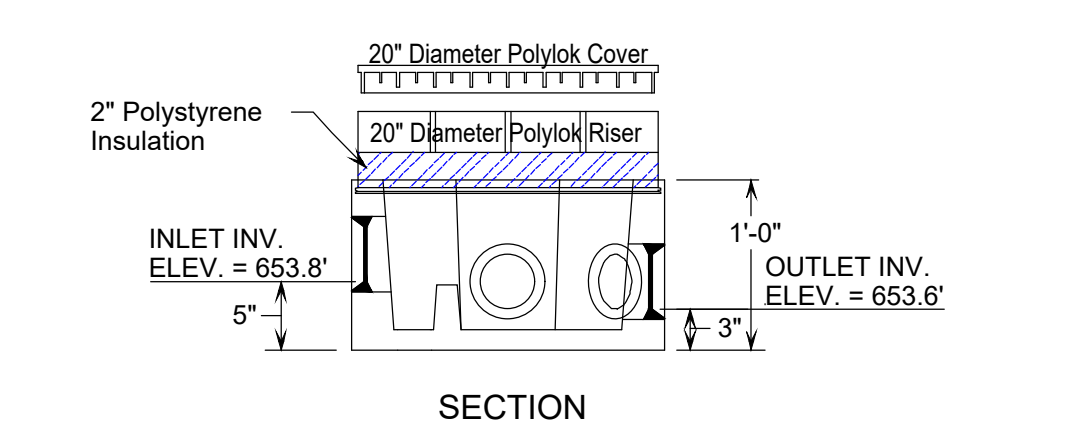


PRIMARY AND REPLACEMENT IN-GROUND WASTEWATER DISPOSAL SYSTEM PLAN VIEW DETAIL

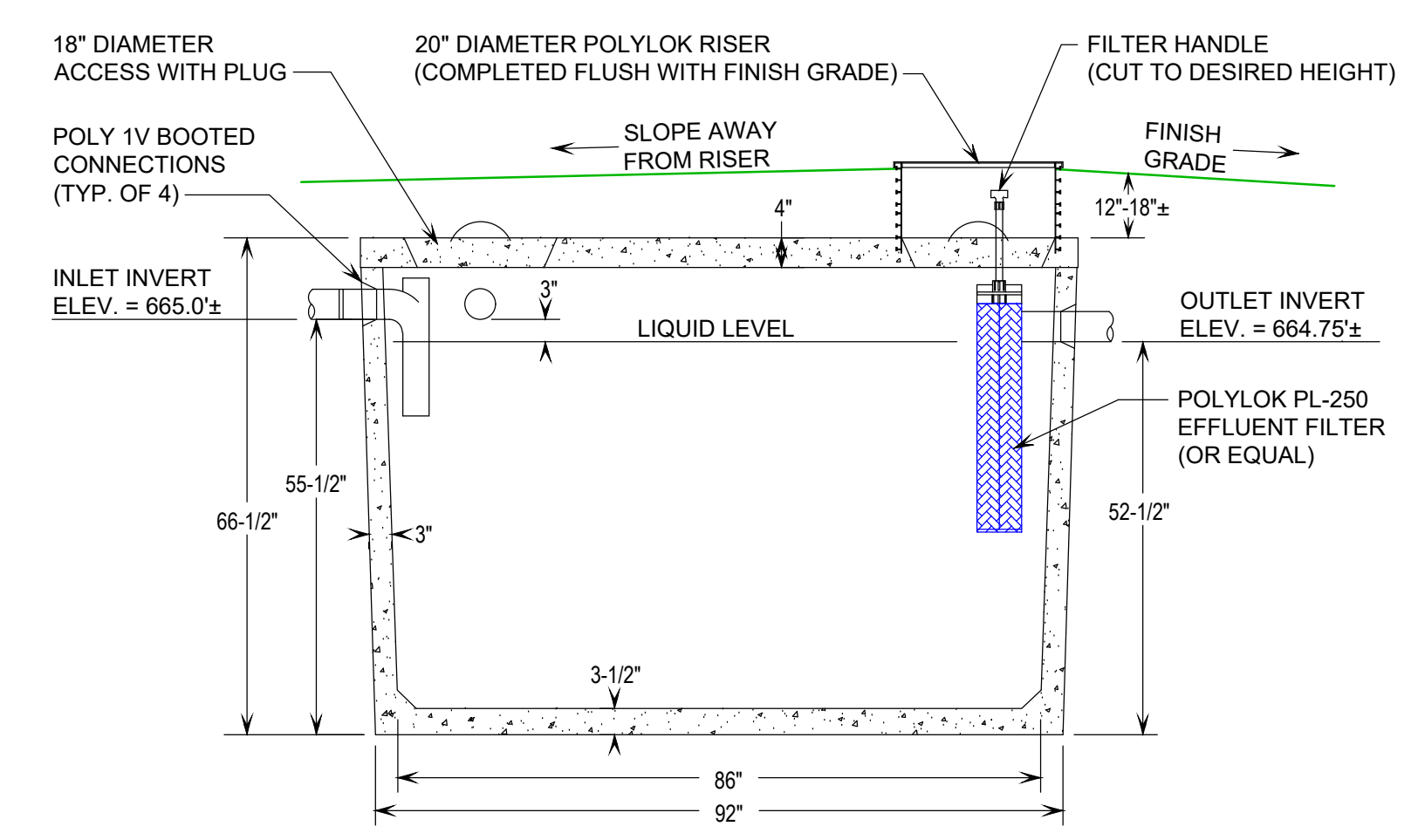
SCALE: 1-INCH = 5-FEET



- NOTES:**
1. DISTRIBUTION BOX TO BE SET ON 6" OF GRANULAR BASE.
 2. FLOW EQUALIZERS ARE REQUIRED.
 3. D-BOX AND FLOW EQUALIZERS SHALL BE WATER LEVELED.
 4. ALL PIPE PENETRATIONS SHALL BE SEALED WITH A "WATER PLUG" NON-SHRINK HYDRAULIC CEMENT.
 5. DISTRIBUTION BOX ACCESS COVER SHALL BE COMPLETED FLUSH WITH FINISH GRADE.

5-OUTLET ROUND CONCRETE DISTRIBUTION BOX

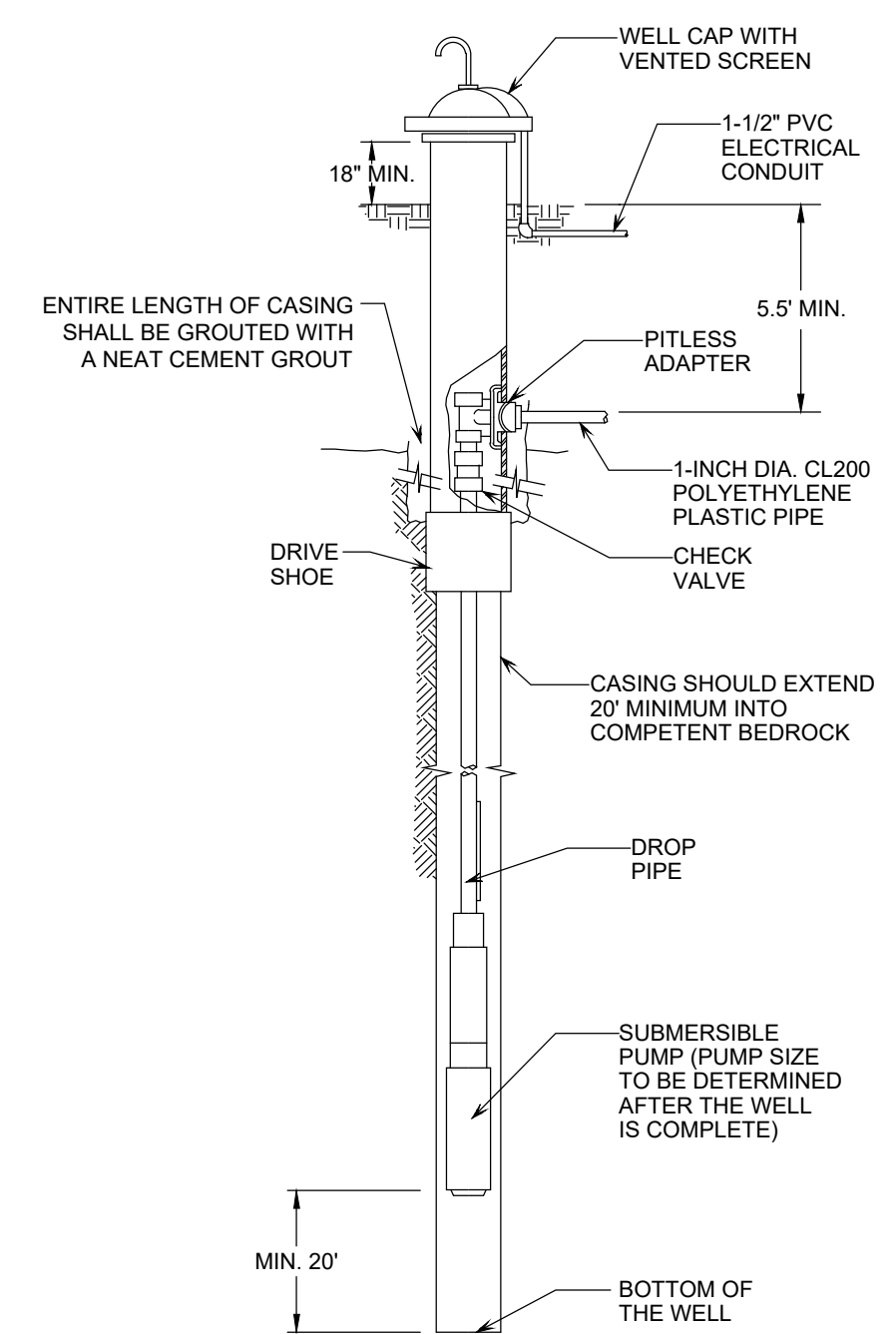
NOT TO SCALE



- NOTES:**
1. SEPTIC TANK SHALL BE SET LEVEL ON A MINIMUM OF SIX INCHES OF COMPACTED GRANULAR BASE.
 2. AN INLET TEE BAFFLE IS REQUIRED.
 3. IF WATER-PROOF BOOTED CONNECTIONS ARE NOT USED, ALL PIPE PENETRATIONS SHALL BE SEALED WITH A "WATER PLUG" NON-SHRINK HYDRAULIC CEMENT.
 4. EFFLUENT FILTER ACCESS SHALL BE COMPLETED FLUSH WITH FINISH GRADE.

1,000 GALLON TOP-SEAM CONCRETE SEPTIC TANK

NOT TO SCALE



- NOTES:**
1. THE DRILLED WELL SHALL BE CONSTRUCTED IN ACCORDANCE WITH §1-1206 OF THE STATE OF VERMONT ENVIRONMENTAL PROTECTION RULES, CHAPTER 1, EFFECTIVE APRIL 12, 2019.
 2. THE DRILLED WELL LOCATION SHALL ADHERE TO THE ISOLATION DISTANCES SHOWN ON THE DRILLED WELL ISOLATION TABLE ON THIS DRAWING.

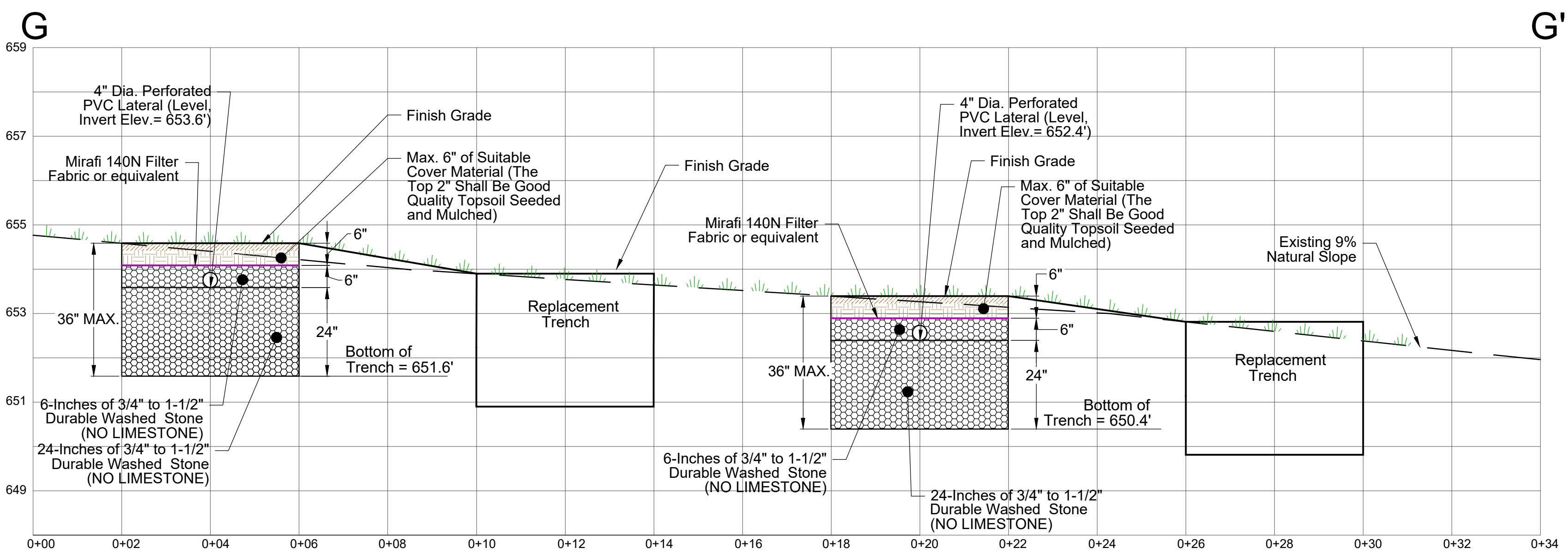
DRILLED WELL CONSTRUCTION DETAIL

NOT TO SCALE

DRILLED WELL REQUIRED MINIMUM ISOLATION DISTANCES

1. THESE DISTANCES APPLY TO DRILLED WELLS SERVING A SINGLE-FAMILY RESIDENCE WITH A MAXIMUM DAILY DEMAND OF LESS THAN 1.9 GPM.
2. THE DRILLED WELL SHALL BE CONSTRUCTED IN ACCORDANCE WITH §1-1206 OF THE STATE OF VERMONT ENVIRONMENTAL PROTECTION RULES, CHAPTER 1, EFFECTIVE APRIL 12, 2019.

POTENTIAL SOURCE OF CONTAMINATION DISTANCE	SEPARATION
SEWAGE DISPOSAL FIELD DOWNSLOPE WITH FLOWS <2000 GPD UPSLOPE	200 FEET IF WELL IS 100 FEET IF WELL IS
SUBSURFACE WASTEWATER PIPING	50 FEET
EDGE OF RESIDENTIAL DRIVE SERVING 3 OR MORE RESIDENCES	5 FEET
EDGE OF DRIVEWAY, ROADWAY OR PARKING LOT SERVING 3 OR MORE RESIDENCES	25 FEET
PROPERTY LINE BUILDINGS	10 FEET
LIMIT OF HERBICIDE APPLICATION ON UTILITY RIGHT-OF-WAY	5 FEET
SURFACE WATER	100 FEET
CONCENTRATED LIVESTOCK HOLDING AREAS AND MANURE STORAGE:	200 FEET
ABOVE GROUND IN-GROUND CONCRETE/GEOSYNTHETIC LINED EARTHEN LINED	50 FEET 100 FEET 200 FEET
HAZARDOUS OR SOLID WASTE DISPOSAL SITE	CONTACT DESIGNER
NON-SEWAGE WASTEWATER DISPOSAL FIELDS	CONTACT DESIGNER



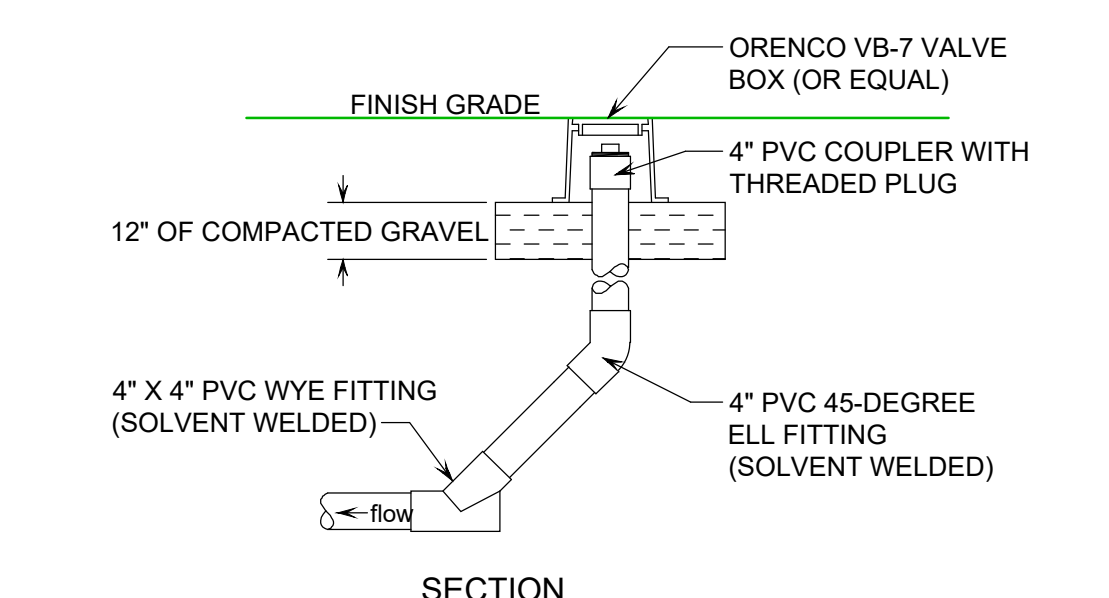
IN-GROUND WASTEWATER DISPOSAL SYSTEM SECTION

VERTICAL SCALE: 1-INCH = 2-FEET
HORIZONTAL SCALE: 1-INCH = 2-FEET

- NOTE:**
1. DISTRIBUTION LATERAL PIPE PERFORATIONS SHALL BE ORIENTATED SO THAT THE HOLES ARE AT 5 O'CLOCK AND 7 O'CLOCK WITH THE PIPE INVERT AT 6 O'CLOCK.

WASTEWATER DISPOSAL SYSTEM CONSTRUCTION AND MAINTENANCE NOTES

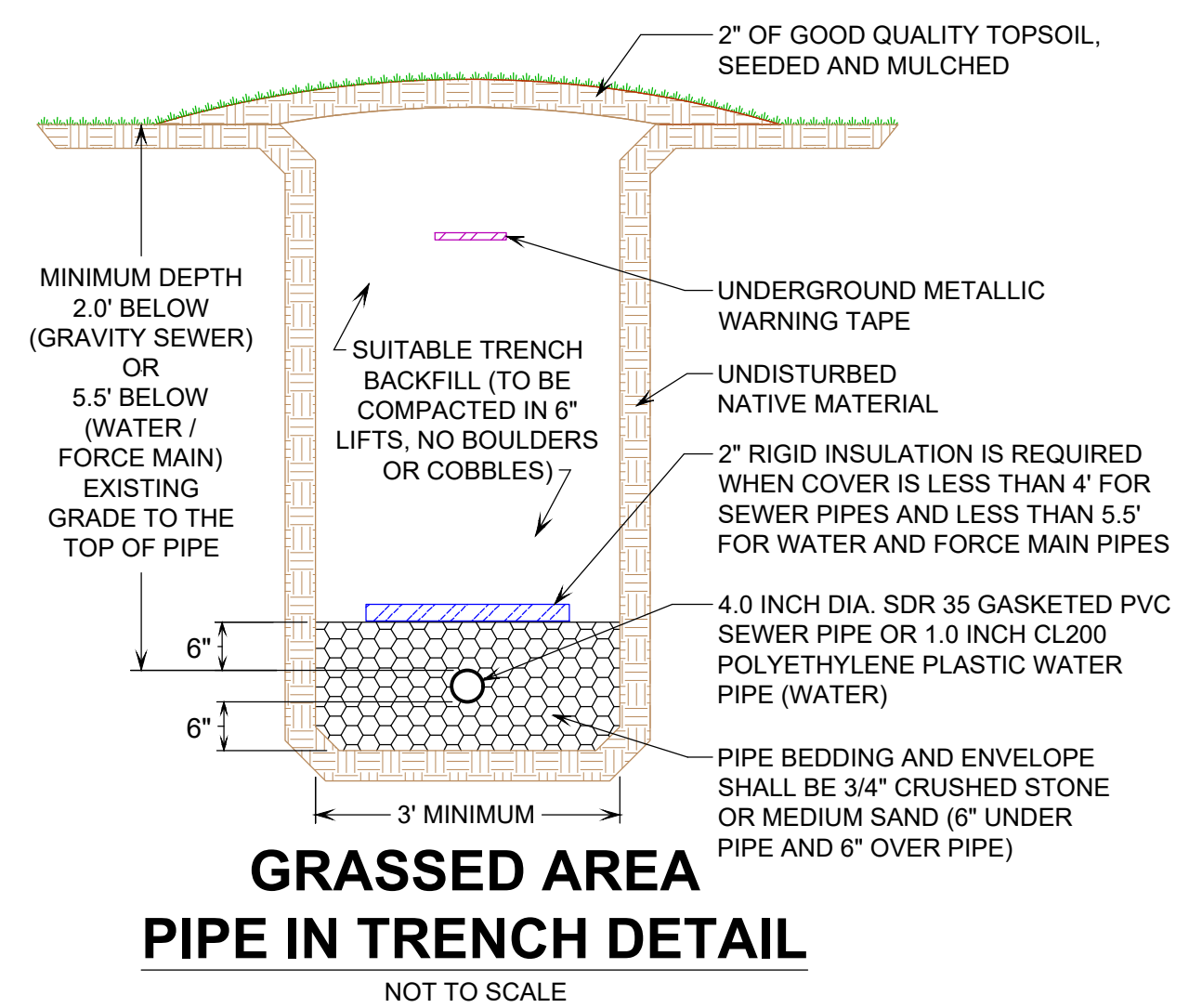
1. THE WASTEWATER DISPOSAL SYSTEM SHALL BE CONSTRUCTED IN ACCORDANCE WITH THE STATE OF VERMONT, AGENCY OF NATURAL RESOURCES, ENVIRONMENTAL PROTECTION RULES, CHAPTER 1, WASTEWATER SYSTEM AND POTABLE WATER SUPPLY RULES.
2. WASTEWATER DISPOSAL SYSTEM LOCATION SHALL BE STAKED OUT BY THE DESIGNER PRIOR TO START OF CONSTRUCTION.
3. ATTACHED MOUND SYSTEM CONSTRUCTION INSTRUCTIONS SHALL BE FOLLOWED DURING THE INSTALLATION OF THE REPLACEMENT MOUND-TYPE WASTEWATER SYSTEM.
4. THE DESIGNER SHALL BE NOTIFIED AT LEAST 48 HOURS IN ADVANCE FOR INSPECTIONS OF THE SEPTIC TANK, PUMP STATION, PLOWED LAYER, AND PLACEMENT OF THE MOUND SAND.
5. THE DESIGNER SHALL BE NOTIFIED AT LEAST 48 HOURS IN ADVANCE FOR A PRESSURE TEST OF THE MOUND SYSTEM PRESSURE DISTRIBUTION NETWORK.
6. WASTEWATER SYSTEM FINISH GRADES WILL VARY WITH NATURAL TOPOGRAPHY PRIORITY IS TO MAINTAIN 3 ON 1 MOUND TOE SLOPES.
7. SEPTIC TANK EFFLUENT FILTER SHOULD BE REMOVED AND RINSED BACK INTO THE SEPTIC TANK ANNUALLY.
8. THE SEPTIC TANK AND PUMP STATION SHOULD BE INSPECTED ANNUALLY AND PUMPED OUT AT LEAST EVERY THREE (3) YEARS OR AS NECESSARY TO PREVENT SOLIDS FROM CARRYING OVER TO THE DISPOSAL SYSTEM.
9. FOLLOWING THE MOUND WASTEWATER SYSTEM INSTALLATION, FINISH GRADE SHALL BE SEEDED AND MULCHED WITH A CONSERVATION GRASS SEED MIX.
10. WATER SOFTENER BACKWASH, SEPTIC TANK ADDITIVES, GREASE OR SANITIZERS SHALL NOT BE INTRODUCED INTO THE WASTEWATER DISPOSAL SYSTEM.



- NOTES:**
1. A CLEANOUT IS REQUIRED AT THE START OF THE CURTAIN DRAIN.
 2. CLEANOUTS SHALL BE COMPLETED FLUSH WITH FINISH GRADE.
 3. THE CONTRACTOR IS RESPONSIBLE FOR COLLECTING TIES TO THE CLEANOUT.

CURTAIN DRAIN CLEANOUT DETAIL

NOT TO SCALE



GRASSED AREA PIPE IN TRENCH DETAIL

NOT TO SCALE

SIGNATURE:

 JASON S. BARNARD
 LICENSED DESIGNER #126179

DATE	DESCRIPTION	BY
REVISIONS		
 BARNARD & GERVAIS, LLC Land Surveying Water & Wastewater Environmental Consulting 167 Main Street, P.O. Box 820 Enosburg Falls, VT 05450 Telephone: (802) 933-5168 10523 VT Route 116, P.O. Box 133 Hinesburg, VT 05461 Telephone: (802) 482-2597		
EIGHT-LOT SUBDIVISION AND PLANNED UNIT DEVELOPMENT		
PR & R DEVELOPMENT, LLC		
OBSERVATORY ROAD, HINESBURG, VERMONT		
LOT 8 WATER & WASTEWATER SYSTEM DETAILS AND NOTES		
THESE PLANS WITH LATEST REVISIONS SHOULD ONLY BE USED FOR THE PURPOSE SHOWN BELOW:		
<input type="checkbox"/> PRELIMINARY DRAFT <input checked="" type="checkbox"/> FINAL STATE REVIEW		
PROJECT NO. 21375	DATE: 02-27-2023	SCALE: AS NOTED
SURVEY: MCG, AW, OL	DRAWN: DW	CHECKED: JSB
DRAWING NO. D-7	SHEET 12 OF 12	