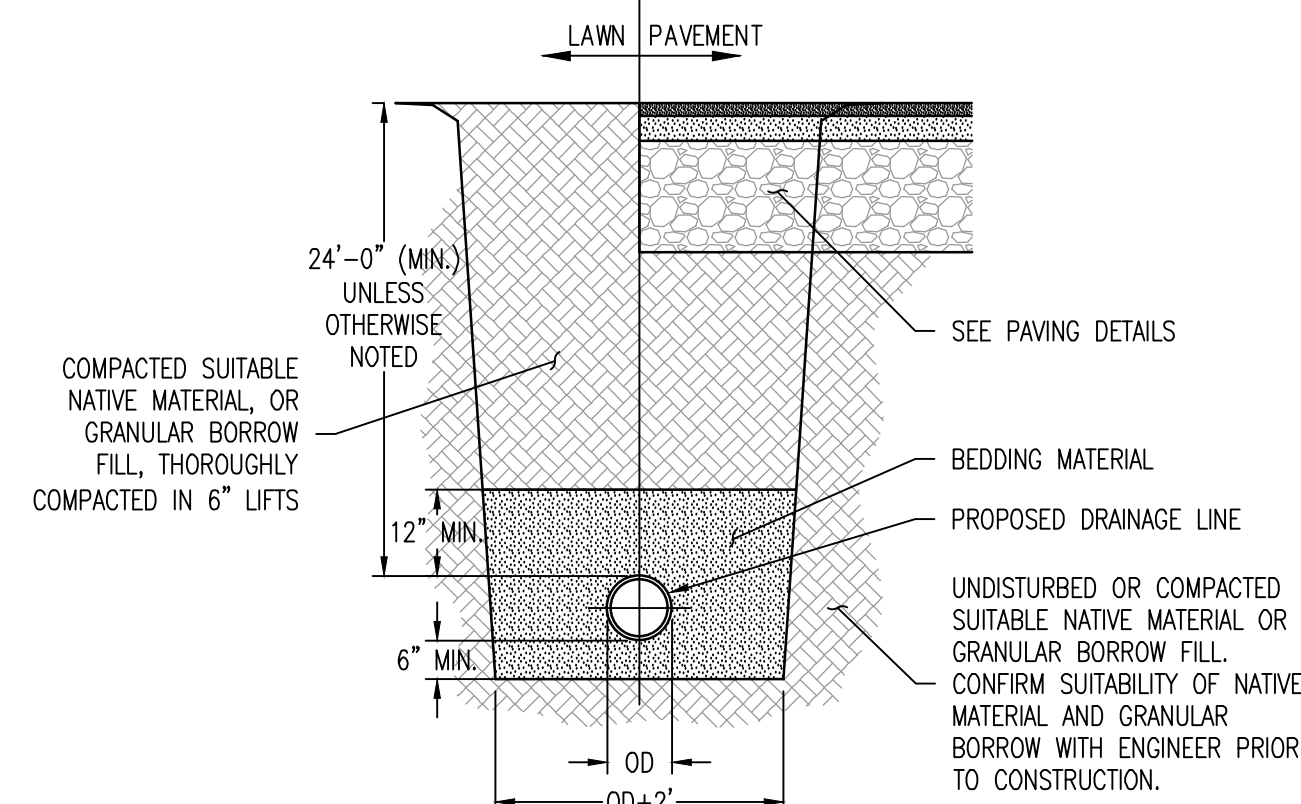


- NOTES:
1. GRANULAR BORROW FILL TO MEET AOT SPEC 703.04.
 2. GRASS SWALE TO BE USED PRIMARILY WHERE SLOPE IS LESS THAN 5% OR AS SHOWN ON GRADING PLANS.

GRASS SWALE DETAIL

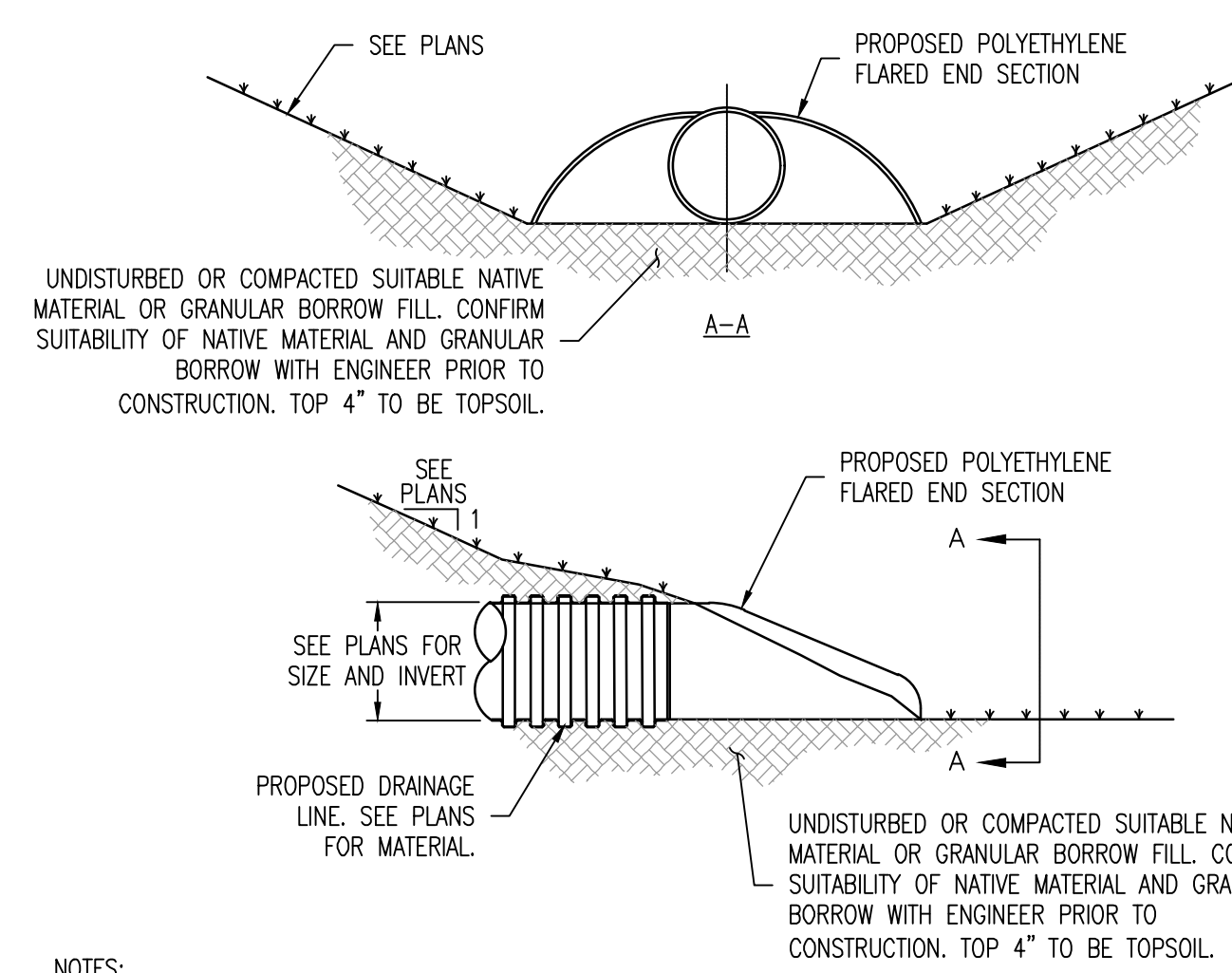
N.T.S. 1
SW-5



- NOTES:
1. DRAINAGE LINES AND FITTINGS TO MEET AOT SPEC 710.03 AND BE INSTALLED AND TESTED IN ACCORDANCE WITH AOT SPEC 601.
 2. BEDDING MATERIAL SHALL BE SAND, GRAVEL OR CRUSHED STONE WITH NO STONES GREATER THAN 3". BEDDING MATERIAL SHALL NOT BE PLACED ON FROZEN SUBGRADE.
 3. IN TRENCHES WITH UNSTABLE MATERIALS, THE TRENCH BOTTOM SHALL BE STABILIZED WITH FILTER FABRIC AND 4" OF 3/4" CRUSHED STONE MEETING AOT SPEC 704.02B.
 4. GRANULAR BORROW FILL TO MEET AOT SPEC 703.04.

STORMWATER TRENCH DETAIL

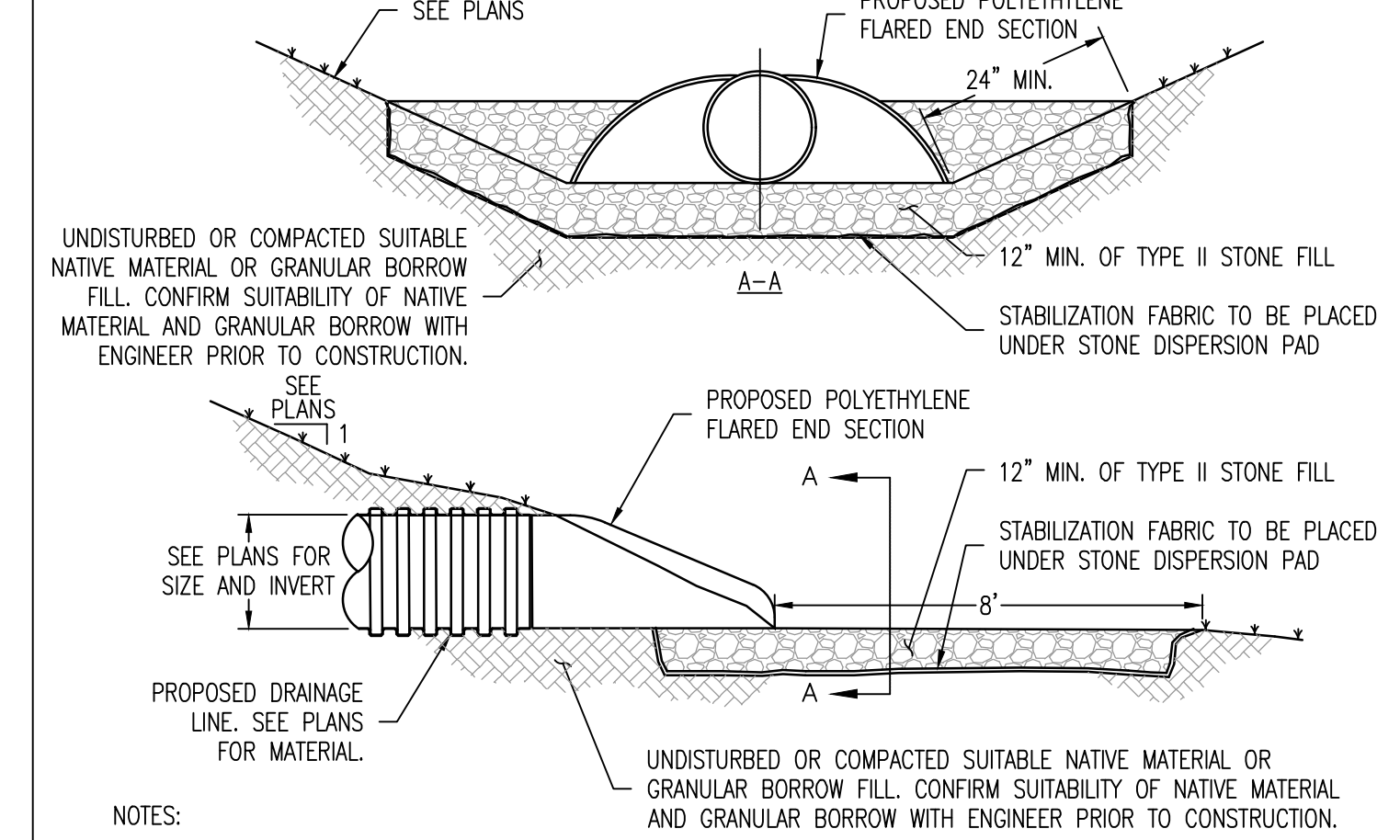
N.T.S. 2
SW-5



- NOTES:
1. DRAINAGE LINES AND FITTINGS TO MEET AOT SPEC 710.03 AND BE INSTALLED AND TESTED IN ACCORDANCE WITH AOT SPEC 601.
 2. GRANULAR BORROW FILL TO MEET AOT SPEC 703.04.

FLARED END SECTION DETAIL

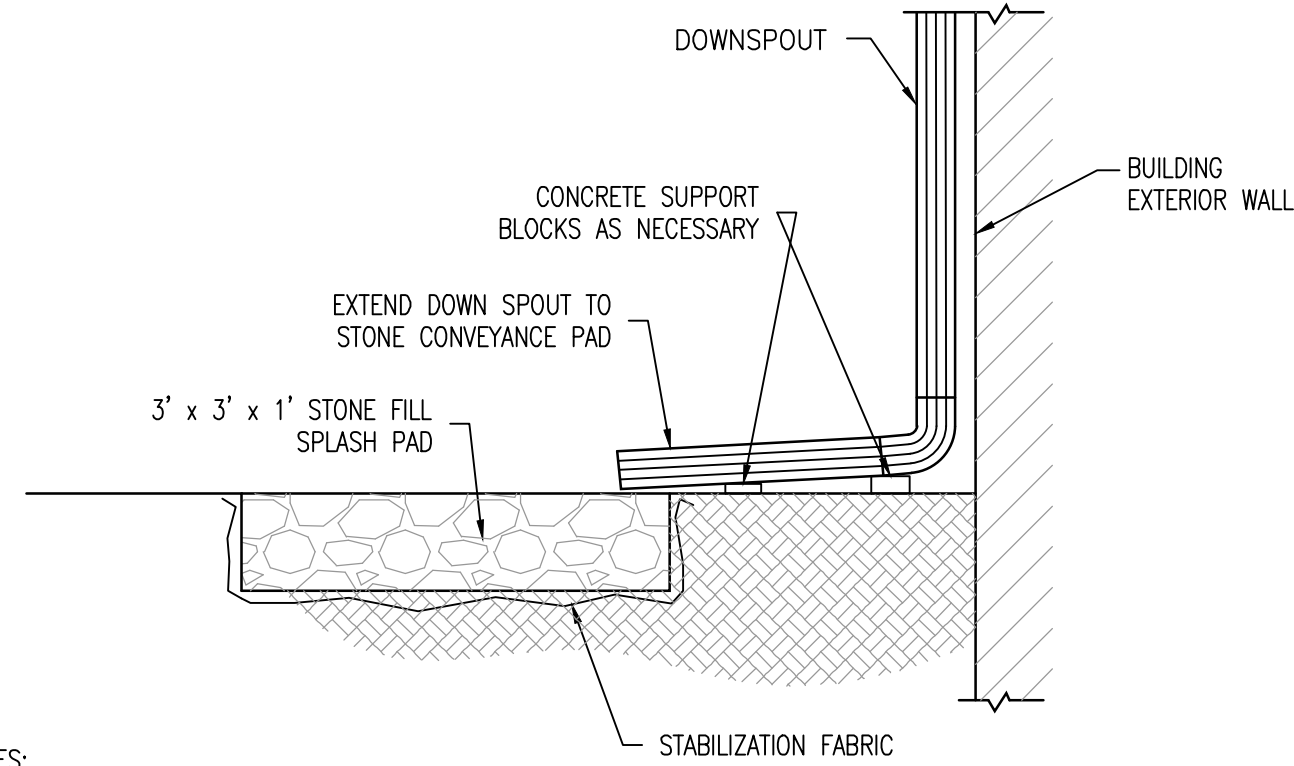
N.T.S. 3
SW-5



- NOTES:
1. DRAINAGE LINES AND FITTINGS TO MEET AOT SPEC 710.03 AND BE INSTALLED AND TESTED IN ACCORDANCE WITH AOT SPEC 601.
 2. GRANULAR BORROW FILL TO MEET AOT SPEC 703.04.
 3. TYPE II STONE FILL TO MEET AOT SPEC 706.04(b).
 4. STABILIZATION FABRIC TO MEET AOT SPEC 720.01 FOR GEOTEXTILE UNDER STONE FILL.

STONE DISPERSION PAD DETAIL

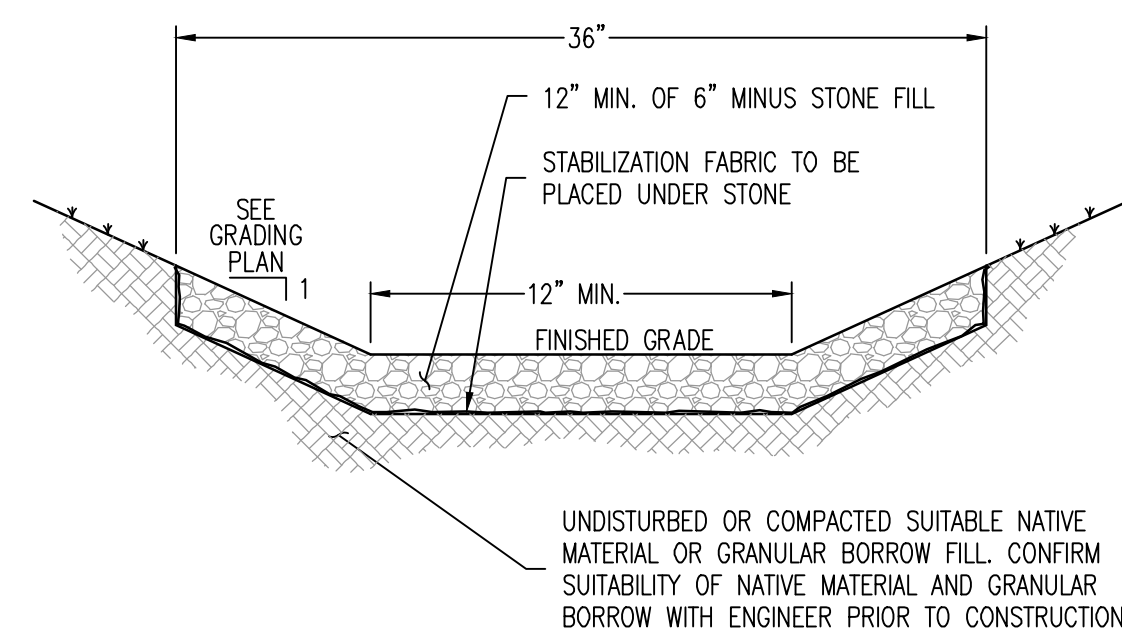
N.T.S. 4
SW-5



- NOTES:
1. DOWN SPOUT, CONNECTIONS AND SUPPORTS TO BE INSTALLED PER MANUFACTURER'S RECOMMENDATIONS.
 2. STONE FILL TO MEET AOT SPEC 704.17(A).
 3. STABILIZATION FABRIC TO MEET AOT SPEC 720.01 FOR GEOTEXTILE UNDER STONE FILL.

DOWN SPOUT SPLASH PAD DETAIL

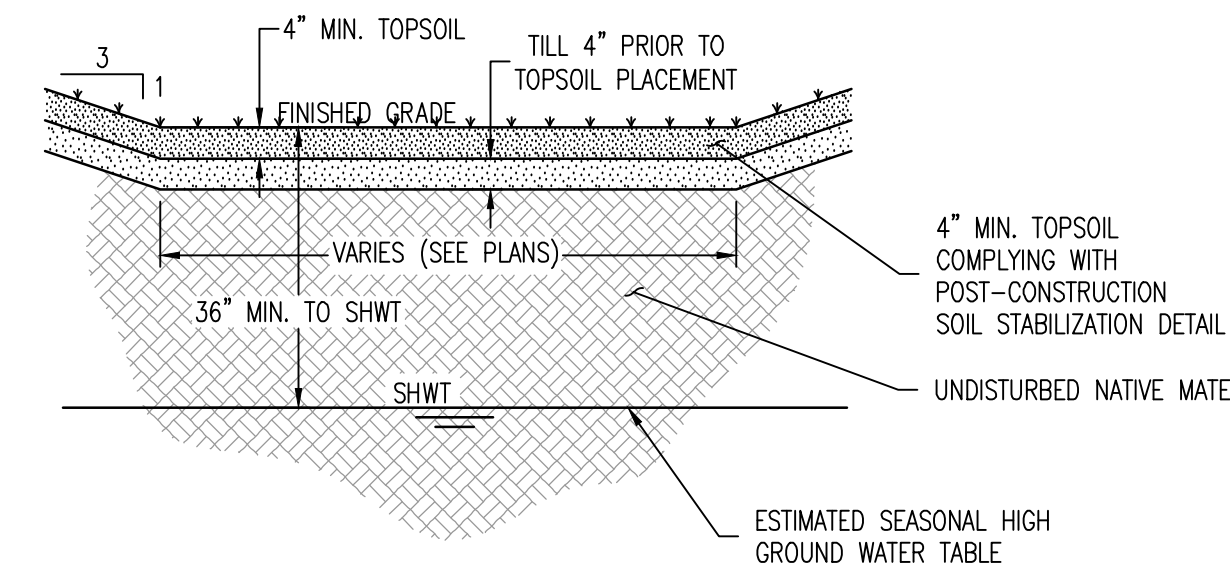
N.T.S. 5
SW-5



- NOTES:
1. GRANULAR BORROW FILL TO MEET AOT SPEC 703.04.
 2. STONE FILL TO MEET AOT SPEC 704.17(A).
 3. STABILIZATION FABRIC TO MEET AOT SPEC 720.01 FOR GEOTEXTILE UNDER STONE FILL.
 4. STONE SWALE TO BE USED PRIMARILY WHERE SLOPE IS EQUAL TO OR EXCEEDS 5% OR AS SHOWN ON GRADING PLANS.

STONE SWALE DETAIL

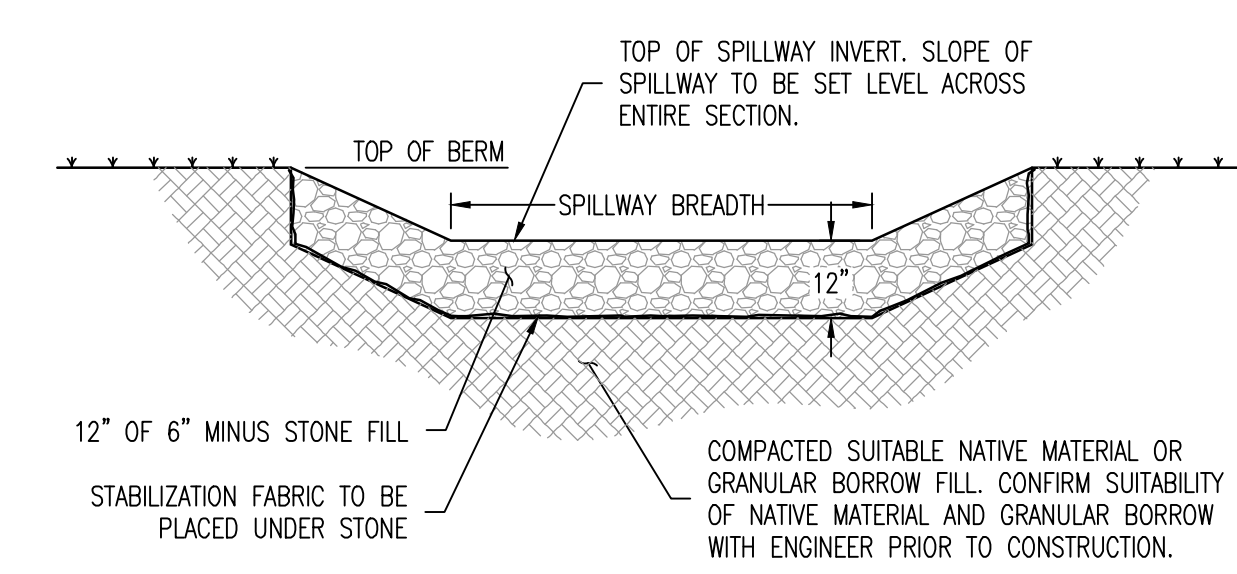
N.T.S. 6
SW-5



- NOTES:
1. THE EARTHEN EMBANKMENTS SHALL BE CONSTRUCTED WITH SUITABLE NATIVE MATERIAL OR GRANULAR BORROW FILL MEETING AOT SPEC 703.04.
 2. GRADING OF THE BASIN SHALL BE PERFORMED AS CLOSE TO DESIGN AS POSSIBLE TO ENSURE ADEQUATE VOLUME ARE PROVIDED TO MEET THE VERMONT STORMWATER TREATMENT STANDARDS. SIDES SLOPES SHALL NOT EXCEED 3H:1V.
 3. WOODY VEGETATION MAY NOT BE PLANTED OR ALLOWED TO GROW WITHIN 15 FEET OF THE TOE OF THE EMBANKMENT AND 25' FROM THE PRIMARY SPILLWAY STRUCTURE.
 4. REFER TO THE SITE STABILIZATION PLAN FOR THE SOIL, SEED AND FERTILIZED REQUIREMENTS FOR PERMANENT STABILIZATION. ALL VEGETATED AREAS TO COMPLY WITH THE POST-CONSTRUCTION SOIL STABILIZATION DETAIL.
 5. THE EMERGENCY SPILLWAY SHALL BE STABILIZED WITH 12" OF TYPE I STONE FILL MEETING AOT SPEC 706.04(a).
 6. UPSTREAM CONSTRUCTION SHALL BE COMPLETED AND STABILIZED BEFORE CONNECTION TO THE INFILTRATION FACILITY.

INFILTRATION BASIN DETAIL

N.T.S. 7
SW-5



- NOTES:
1. GRANULAR BORROW FILL TO MEET AOT SPEC 703.04.
 2. STONE FILL TO MEET AOT SPEC 704.17(A).
 3. STABILIZATION FABRIC TO MEET AOT SPEC 720.01 FOR GEOTEXTILE UNDER STONE FILL.
- | INVERTS - | | INFILTRATION BASIN #1 | INFILTRATION BASIN #2 |
|--------------------|--|-----------------------|-----------------------|
| TOP OF BERM = | | 663.0' | 643.0' |
| TOP OF SPILLWAY = | | 661.5' | 641.0' |
| SPILLWAY BREADTH = | | 15' | 15' |
| SPILLWAY LENGTH = | | 15' | 15' |

EMERGENCY SPILLWAY DETAIL

N.T.S. 8
SW-5

SIGNATURE:

JEFFREY OLESKY, P.E.
PROFESSIONAL ENGINEER #8879

04-09-2024	Revise detail SW-5/8.	SB
DATE	DESCRIPTION	BY
REVISIONS		
BARNARD & GERVAIS, LLC Land Surveying Water & Wastewater Environmental Consulting 167 Main Street, P.O. Box 820 Enosburg Falls, VT 05450 Telephone: (802) 933-5168		PROJECT NO. 21375
EIGHT-LOT SUBDIVISION AND PLANNED UNIT DEVELOPMENT		DATE: 03-07-2024
PR & R DEVELOPMENT, LLC		SCALE: AS NOTED
OBSERVATORY ROAD, HINESBURG, VERMONT		SURVEY: MCG, AW, OL
STORMWATER DETAILS		DRAWN: SB
THESE PLANS WITH LATEST REVISIONS SHOULD ONLY BE USED FOR THE PURPOSE SHOWN BELOW.		CHECKED: JO
<input type="checkbox"/> PRELIMINARY DRAFT <input checked="" type="checkbox"/> FINAL STATE REVIEW		DRAWING NO. SW-5
		SHEET 5 OF 7